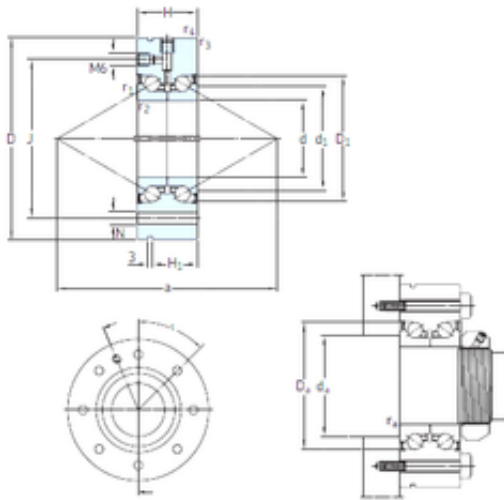




BOSTON GEAR BEARING CO., LTD.



SNFA BEAM 25/75/Z SQP60 Rolamentos de esferas de impulso

Bearing No. BEAM 25/75/Z SQP60

BEAM 25/75/Z SQP60 Bearing 2D drawings and 3D CAD models

Size	25x75x28 mm
Bore Diameter	25 mm
Outer Diameter	75 mm
Width	28 mm
d	25 mm
D	75 mm
H	28 mm
a	84 mm
d1	40,5 mm
r1 min.	0,3 mm
r2 min.	0,3 mm
r3 min.	0,8 mm
r4 min.	0,8 mm
D1	49 mm
H1	19 mm
J	58 mm
N	6,8 mm
Thread (G)	M6
Bolt (G)	4x90 °
da max	32 mm
Da max.	49 mm
ra max.	0,6 mm
Weight	0,72 Kg
Basic dynamic load rating (C)	27,6 kN
Basic static load rating (C0)	55 kN



BOSTON GEAR BEARING CO., LTD.

Fatigue load limit (Pu)	2,04
-------------------------	------