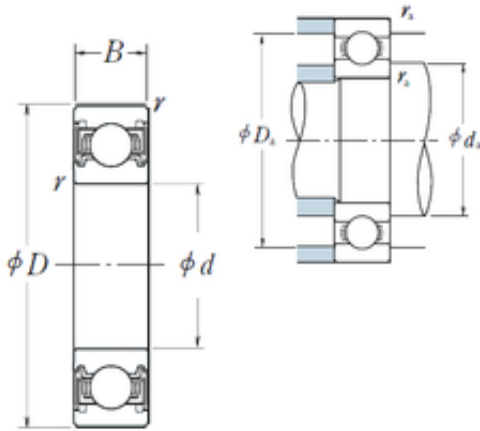




BOSTON GEAR BEARING CO., LTD.



90 mm x 115 mm x 13 mm NSK 6818VV Rolamentos de esferas profundas

Bearing No. 6818VV

6818VV Bearing 2D drawings and 3D CAD models

| | |
|-------------------------------|--------------------------|
| Size | 90x115x13 mm |
| Bore Diameter | 90 mm |
| Outer Diameter | 115 mm |
| Width | 13 mm |
| d | 90 mm |
| D | 115 mm |
| B | 13 mm |
| C | 13 mm |
| r min. | 1 mm |
| da min. | 95 mm |
| da max | 95,5 mm |
| Da max. | 110 mm |
| ra max. | 1 mm |
| Weight | 0,276 Kg |
| Basic dynamic load rating (C) | 19 kN |
| Basic static load rating (C0) | 21 kN |
| (Grease) Lubrication Speed | 5 300 r/min |
| Category | Single Row Ball Bearings |
| Inventory | 0.0 |
| Manufacturer Name | NSK |
| Minimum Buy Quantity | N/A |
| Weight / Kilogram | 0.27 |
| EAN | 0029176026690 |
| Product Group | B00308 |
| Enclosure | 2 Seals |



BOSTON GEAR BEARING CO., LTD.

| | |
|---------------------------------|--|
| Precision Class | ABEC 1 ISO P0 |
| Maximum Capacity / Filling Slot | No |
| Rolling Element | Ball Bearing |
| Snap Ring | No |
| Internal Special Features | No |
| Cage Material | Steel |
| Enclosure Type | Non-Contact Seal |
| Internal Clearance | C0-Medium |
| Inch - Metric | Metric |
| Long Description | 90MM Bore; 115MM Outside Diameter; 13MM Outer Race Diameter; 2 Seals; Ball Bearing; ABEC 1 ISO P0; No Filling Slot; No Snap Ring; No Internal Special Features |
| Category | Single Row Ball Bearing |
| UNSPSC | 31171504 |
| Harmonized Tariff Code | 8482.10.50.68 |
| Noun | Bearing |
| Keyword String | Ball |
| Manufacturer URL | http://www.nskamericas.com |
| Manufacturer Item Number | 6818VV |
| Weight / LBS | 0.271 |
| Bore | 3.543 Inch 90 Millimeter |
| Outer Race Width | 0.512 Inch 13 Millimeter |
| Outside Diameter | 4.528 Inch 115 Millimeter |
| bore diameter: | 90 mm |
| closure type: | Double Sealed |
| outside diameter: | 115 mm |
| internal clearance: | Normal Clearance |
| overall width: | 13 mm |
| manufacturer upc number: | 029176026690 |



BOSTON GEAR BEARING CO., LTD.

| | |
|------------|-------------|
| bore type: | Round |
| SRI | 3.7 |
| hidYobi | 6818VV |
| LangID | 1 |
| D_ | 115 |
| SREX | 0.02 |
| B_ | 13 |
| da min | 95 |
| hidTable | ecat_NSRDGB |
| SRE | 3.7 |
| mass | 0.276 |
| GRS rpm | 5300 |
| ra | 1 |
| SRIX | 0.02 |
| D_a | 110 |
| SRIN | -0.02 |
| C0 | 21 |
| fo | 17.2 |
| SREN | -0.02 |
| DE_ | 109.644 |
| Prod_Type3 | DGBB_SR_VV |
| DA_ | 7.144 |
| bomp | 0 |
| Z_ | 24 |
| yobi | 6818VV |
| C_conv | 19000 |
| ALPHA_ | 0 |
| SDM_ | 102.5 |
| r | 1 |
| KBRG | 6151 |
| SBRG | 18 |
| DI_ | 95.356 |



BOSTON GEAR BEARING CO., LTD.