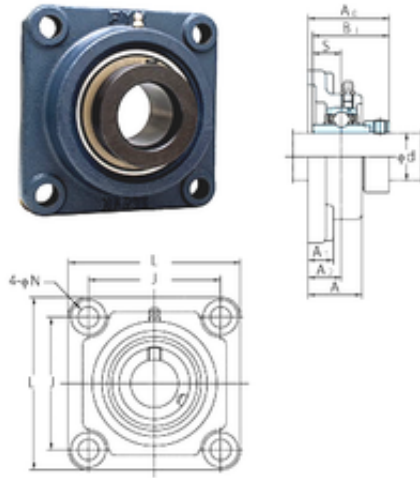




# BOSTON GEAR BEARING CO., LTD.



NANF203 Bearing 2D drawings and 3D CAD models

## FYH NANF203 Unidades de rolamento

Bearing No. NANF203

Bore Diameter	17 mm
d	17 mm
A0	45,6 mm
A	29,5 mm
A1	15 mm
B1	43,7 mm
J	64 mm
L	86 mm
N	11 mm
S	17,1 mm
Bolt (G)	9,525
A2	19 mm
Weight	0,73 Kg
Basic dynamic load rating (C)	12,8 kN
Basic static load rating (C0)	6,65 kN
Category	Bearings
Inventory	0.0
Manufacturer Name	FYH BEARING UNITS
Minimum Buy Quantity	N/A
Weight / Kilogram	0
Product Group	M06110