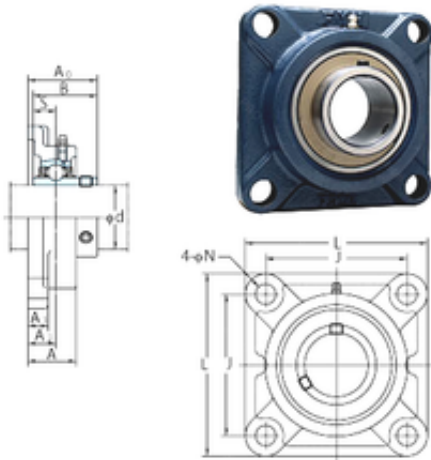




BOSTON GEAR BEARING CO., LTD.

FYH UCF321 Unidades de rolamento

Bearing No. UCF321



UCF321 Bearing 2D drawings and 3D CAD models

Bore Diameter	105 mm
d	105 mm
A0	127 mm
A	94 mm
A1	32 mm
B	112 mm
J	242 mm
L	310 mm
N	38 mm
S	44 mm
Bolt (G)	M33
A2	59 mm
Weight	30,2 Kg
Basic dynamic load rating (C)	184 kN
Basic static load rating (C0)	153 kN