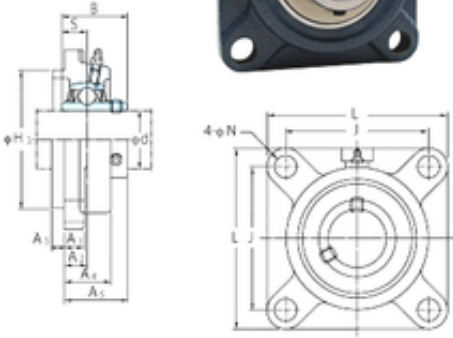




BOSTON GEAR BEARING CO., LTD.

FYH UCFS320 Unidades de rolamento

Bearing No. UCFS320



UCFS320 Bearing 2D drawings and 3D CAD models

Bore Diameter	100 mm
d	100 mm
H3	260 mm
A4	74 mm
A5	105 mm
A1	32 mm
B	108 mm
J	242 mm
L	310 mm
N	38 mm
S	42 mm
Bolt (G)	M33
A2	39 mm
A3	20 mm
Weight	29,5 Kg
Basic dynamic load rating (C)	173 kN
Basic static load rating (C0)	141 kN